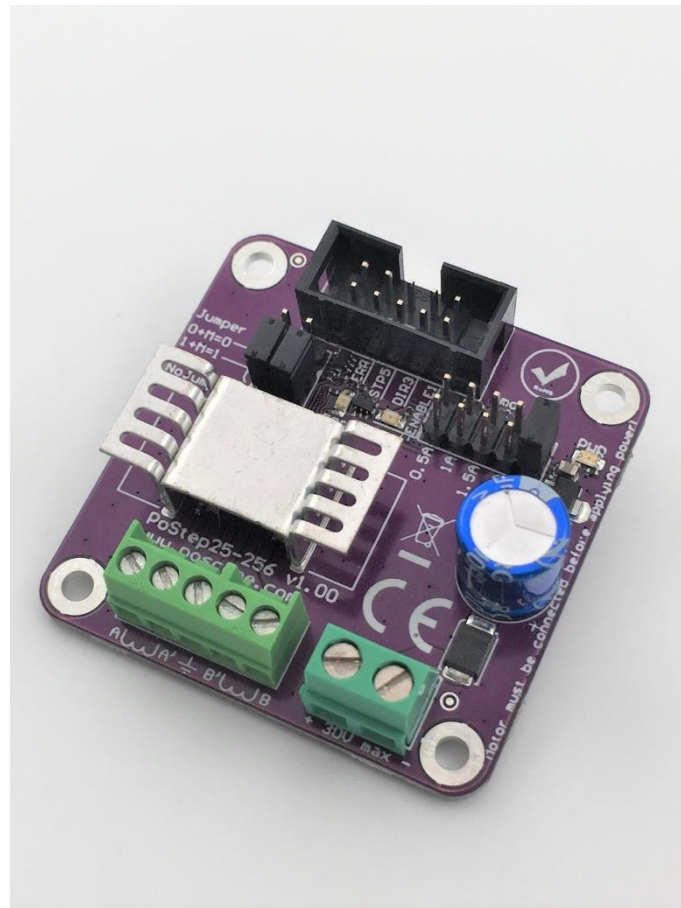




PoStep25-256 user's manual v1.0



Please read the following notes

1. All information included in this document is current as of the date this document is issued. Such information, however, is subject to change without any prior notice.
2. PoLabs does not assume any liability for infringement of patents, copyrights, or other intellectual property rights of third parties by or arising from the use of PoLabs products or technical information described in this document. No license, express, implied or otherwise, is granted hereby under any patents, copyrights or other intellectual property rights of PoLabs or others. PoLabs claims the copyright of, and retains the rights to, all material (software, documents, etc.) contained in this release. You may copy and distribute the entire release in its original state but must not copy individual items within the release other than for backup purposes.
3. Descriptions of circuits, software and other related information in this document are provided only to illustrate the operation of the products and application examples. You are fully responsible for the incorporation of these circuits, software, and information in the design of your equipment. PoLabs assumes no responsibility for any losses incurred by you or third parties arising from the use of these circuits, software, or information.
4. PoLabs has used reasonable care in preparing the information included in this document, but PoLabs does not warrant that such information is error free. PoLabs assumes no liability whatsoever for any damages incurred by you resulting from errors in or omissions from the information included herein.
5. PoLabs devices may be used in equipment that does not impose a threat to human life in case of the malfunctioning, such as: computer interfaces, office equipment, communications equipment, test and measurement equipment, audio and visual equipment, home electronic appliances, machine tools, personal electronic equipment, and industrial robots.
6. Measures such as fail-safe function and redundant design should be taken to ensure reliability and safety when PoLabs devices are used for or in connection with equipment that requires higher reliability, for example: traffic control systems, anti-disaster systems, anticrime systems, safety equipment, medical equipment not specifically designed for life support, and other similar applications.
7. PoLabs devices shall not be used for or in connection with equipment that requires an extremely high level of reliability and safety, as for example: aircraft systems, aerospace equipment, nuclear reactor control systems, medical equipment or systems for life support (e.g. artificial life support devices or systems), and any other applications or purposes that pose a direct threat to human life.
8. You should use the PoLabs products described in this document within the range specified by PoLabs, especially with respect to the maximum rating, operating supply voltage range and other product characteristics. PoLabs shall have no liability for malfunctions or damages arising out of the use of PoLabs products beyond such specified ranges.
9. Although PoLabs endeavors to improve the quality and reliability of its products, semiconductor products have specific characteristics such as the occurrence of failure at a certain rate and malfunctions under certain use conditions. Further, PoLabs products are not subject to radiation resistance design. Please be sure to implement safety measures to guard them against the possibility of physical injury, and injury or damage caused by fire in the event of the failure of a PoLabs product, such as safety design for hardware and software including but not limited to redundancy, fire control and malfunction prevention, appropriate treatment for aging degradation or any other appropriate measures.
10. Usage: the software in this release is for use only with PoLabs products or with data collected using PoLabs products.
11. Fitness for purpose: no two applications are the same, so PoLabs cannot guarantee that its equipment or software is suitable for a given application. It is therefore the user's responsibility to ensure that the product is suitable for the user's application.
12. Viruses: this software was continuously monitored for viruses during production, however the user is responsible for virus checking the software once it is installed.
13. Upgrades: we provide upgrades, free of charge, from our web site at www.poscope.com. We reserve the right to charge for updates or replacements sent out on physical media.
14. Please contact a PoLabs support for details as to environmental matters such as the environmental compatibility of each PoLabs product. Please use PoLabs products in compliance with all applicable laws and regulations that regulate the inclusion or use of controlled substances, including without limitation, the EU RoHS Directive. PoLabs assumes no liability for damages or losses occurring as a result of your noncompliance with applicable laws and regulations.
15. Please contact a PoLabs support at support.poscope.com if you have any questions regarding the information contained in this document or PoLabs products, or if you have any other inquiries.
16. The licensee agrees to allow access to this software only to persons who have been informed of and agree to abide by these conditions.
17. Trademarks: Windows is a registered trademark of Microsoft Corporation. PoKeys, PoKeys55, PoKeys56U, PoKeys56E, PoKeys57U, PoKeys57E, PoKeys57CNC, PoScope, PoLabs, PlasmaSens and others are internationally registered trademark

PoStep25-256 user's manual

Description	3
PoStep25-256 features.....	3
Smooth tune control	3
Board use requirements.....	3
LEDs description	4
Connection and setting	4
10 pin IDC connector pinout	4
Microstepping settings.....	4
1. Microstepping setting – jumpers	5
Power dissipation	5
Motor connections	6
Layout.....	6
Grant of license	7

Description

The PoStep25-256 is a high-performance, cost-effective stepping motor driver to implement intelligent stepping motor control – Smooth tune. The driver incorporates an advanced architecture and surface mount technology to archive an exceptional power density.

PoStep25-256 features

- 0.5 to 2.5 Amps Phase Current,
- Simple current setting with jumper,
- Compatible with 4, 6 and 8 wire stepper motors of any voltage,
- +9 VDC to +30 VDC Power Supply,
- Reverse supply voltage protection,
- 1, 2, 4, 8, 16, 32, 128 and 256 Micro-steps per Step,
- 500 kHz Max Step Rate
- 3.3 V and 5 V logic compatible inputs,
- 0°C to 70°C operating temperature,
- LED power, Error and Enable Indicators,
- Small size 48 mm X 48 mm,
- Smoother and silently movement of stepper motor,
- Improved torque,
- Protection Features:
 - Overcurrent protection,
 - Open Load detection,
 - Thermal Shutdown,
 - Fault Condition Output,
 - Undervoltage Lockout.

Smooth tune control

The Smooth tune control - is a largest advantage of PoStep25-256 in front of others drivers on market. Intelligent stepper motor control, increasing stepper motor efficiency and system performance, eliminate motor noise at low speeds and at standby. Making the control precise.

Board use requirements

Step, direction and enable inputs. 9-30 VDC power supply, connected bipolar stepper motor **before** applying power. Do not connect or disconnect a motor while the driver is energized. This could cause permanent damage to the driver.

LEDs description

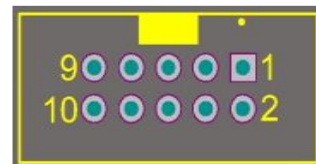
- PWR (green) when power is applied. It must be illuminated.
- ENBL (green) – Enable. It must be illuminated.
- ERR (red) – Error. It is illuminated on these errors: Overtemperature, Overcurrent. Controller must cool down or short circuit must be illuminated. After that Switch power down.

Connection and setting

1. Mount the PoStep to the stable surface. If PoStep25-256 will be mounted to metal surface, please isolate it.
2. Set micro stepping jumper to required micro stepping multiplier according to table on the backside of the driver.
3. Put current limit jumper to required position: 0.5 A, 1 A, 1.5 A, 2 A or 2.5 A.
4. Connect step, direction, enable and GND to PoStep25-256
5. Connect motor. Use thick wires, at least 1mm² or more.
6. Connect power supply. Use thick (at least 1mm²) and as short is possible wires. Connect each motor driver directly to power supply with + and GND.

10 pin IDC connector pinout

Pin	Function
1	Enable (1=enable, 0=disable)
3	Direction
5	Step
7	Error (from PoStep to controller)
2, 4, 6, 8, 10	GND
9	Not connected



Microstepping settings

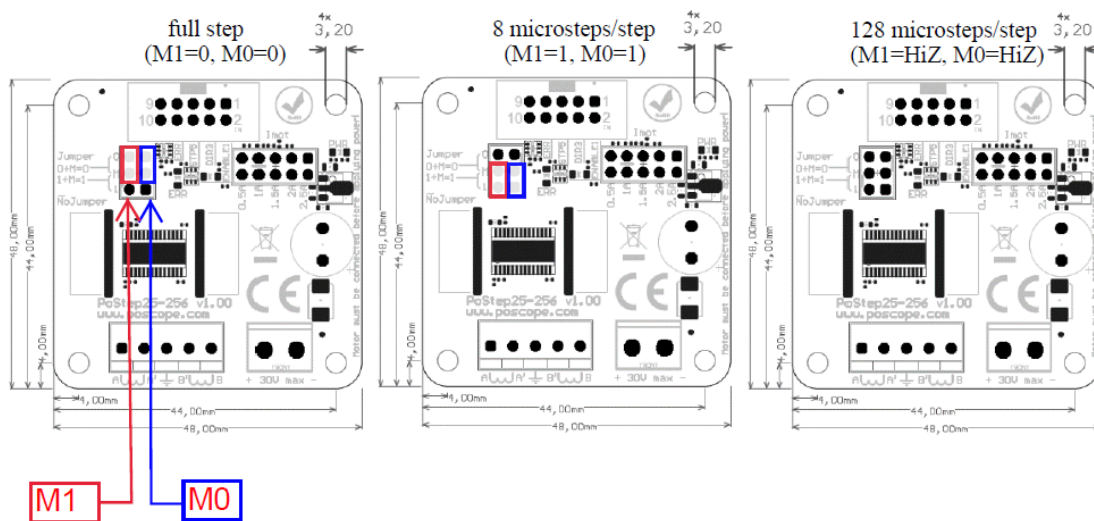
PoStep25-256 can be set to full step, half step and up to 256 microstepping.

M0	M1	STEP
0	0	Full step
1	0	½ Non circular
HiZ	0	½
0	1	¼
1	1	8 microsteps/step
HiZ	1	16 microsteps/step
0	HiZ	32 microsteps/step
HiZ	HiZ	128 microsteps/step
1	HiZ	256 microsteps/step

Microsteps per full-step	Incremental holding torque per microstep
1	100%
2	70.71%
4	38.27%
8	19.51%
16	9.80%
32	4.91%
64	2.45%
128	1.23%
256	0.61%

1. Microstepping setting - jumpers

(Example: How to setup microstepping considering table above)



Power dissipation

The PoStep25-256 has maximum current rating of 2,5A. For currents over 1,5A, please consider to add additional fan to keep IC cool. If the PoStep25-256 is mounted in enclosure, it must have vent holes and preferably a fan to blow hot air outside.

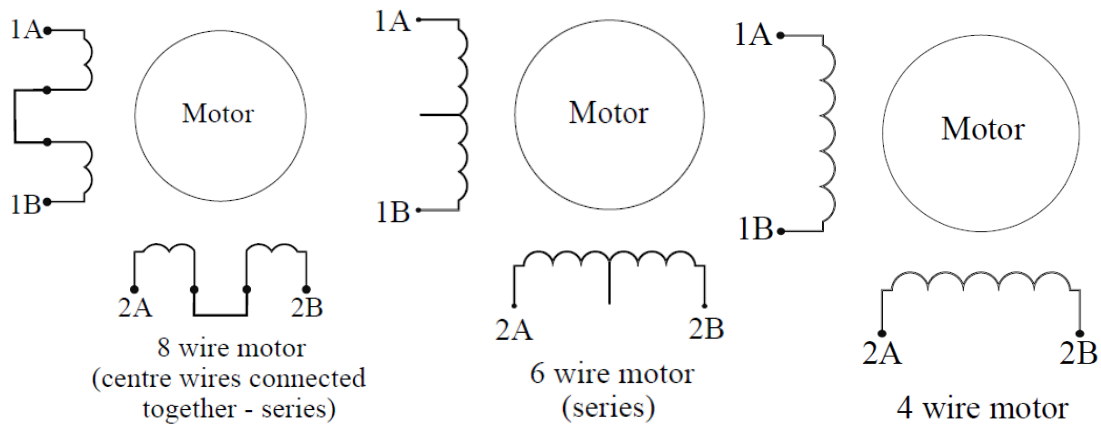
Motor connections

The drive will work with 4-wire, 6-wire or 8-wire stepper motors.

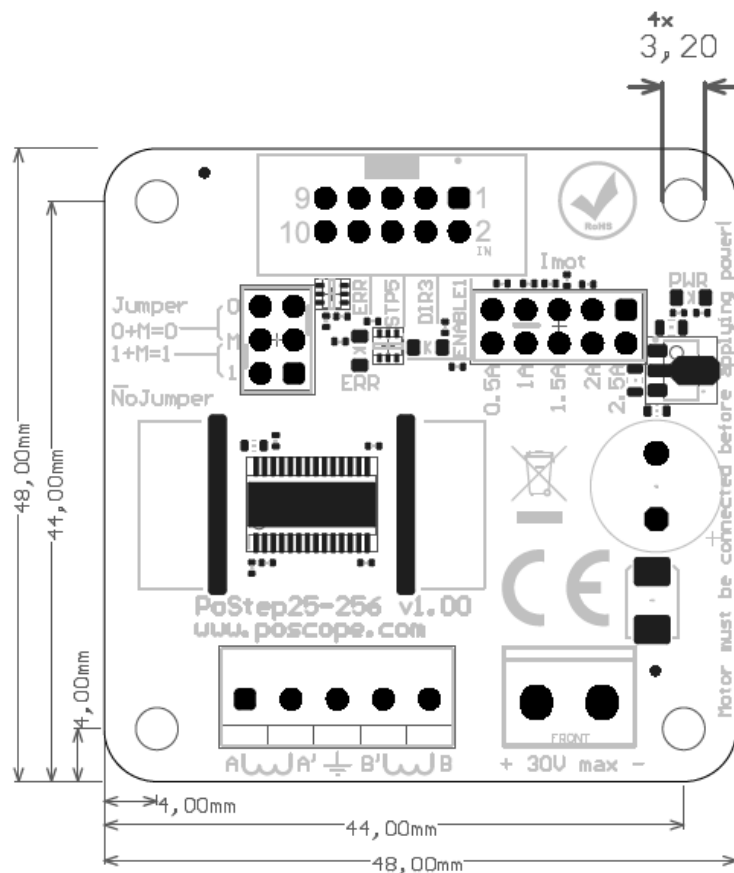
4-wire motors are truly bipolar, and can be run as such.

6-wire motors can be wired two ways to work with the bipolar drive.

8-wire motors can be run in parallel or serial mode. Parallel mode needs higher current, has lower inductance and better torque, serial mode needs lower current and has lower torque.



Layout



Grant of license

The material contained in this release is licensed, not sold. PoLabs grants a license to the person who is using any compatible PoLabs product, subject to the conditions listed below.

1. Access

The licensee agrees to allow access to this manual only to persons who have been informed of and agree to abide by these conditions.

2. Usage

The informations in this release is for use only with PoLabs products.

3. Copyright

PoLabs claims the copyright of, and retains the rights to, all material (software, documents etc) contained in this release. You may copy and distribute the entire release in its original state, but must not copy individual items within the release other than for backup purposes.

4. Liability

PoLabs and its agents shall not be liable for any loss or damage, howsoever caused, related to the use of PoLabs equipment or software, unless excluded by statute.

5. Fitness for purpose

No two applications are the same, so PoLabs cannot guarantee that its equipment or software is suitable for a given application. It is therefore the user's responsibility to ensure that the product is suitable for the user's application.

6. Mission Critical applications

Because the software runs on a computer that may be running other software products, and may be subject to interference from these other products, this license specifically excludes usage in 'mission critical' applications, for example life support systems.

7. Errors

This manual was continuously monitored for errors during production, however the user is responsible for error checking the manual once it is used.

8. Support

There could be errors in these manual, but if you found some, please contact our technical support staff, who will try to fix the problem within a reasonable time.

9. Upgrades

We provide upgrades, free of charge, from our web site at www.poscope.com. We reserve the right to charge for updates or replacements sent out on physical media.

10. Trademarks

Windows is a registered trademark of Microsoft Corporation. PoKeys, PoKeys55, PoKeys56U, PoKeys56E, PoKeys57U, PoKeys57E, PoKeys57CNC, PoScope, PoLabs, PoExtBus, PoExtBus Smart, PoRelay8, PlasmaSens and others are internationally registered trademarks.

support: www.poscope.com